

TT-200

Manual Wastewater Treatment

Standard Features

- Economical with Small Footprint Manual System
- Maximum Throughput: 400 gph
- 200-Gallon Treatment Tank
- 200-Gallon Clean Water Tank
- 1/2 Cubic Yard Dumpster
- U.L. Approved Control Panel
- 1-1/2 Horsepower Heavy Duty Agitator with Jet Basket
- Driven Bandfilter with roller for greater dewatering
- **Equipment Measurements:** Length: 6'2" Width: 5'2"
Height: 7'5" Weight: approximately 1,300 lbs.

Optional Features

- Influent Pump
- Effluent Pump
- Stainless Steel Construction



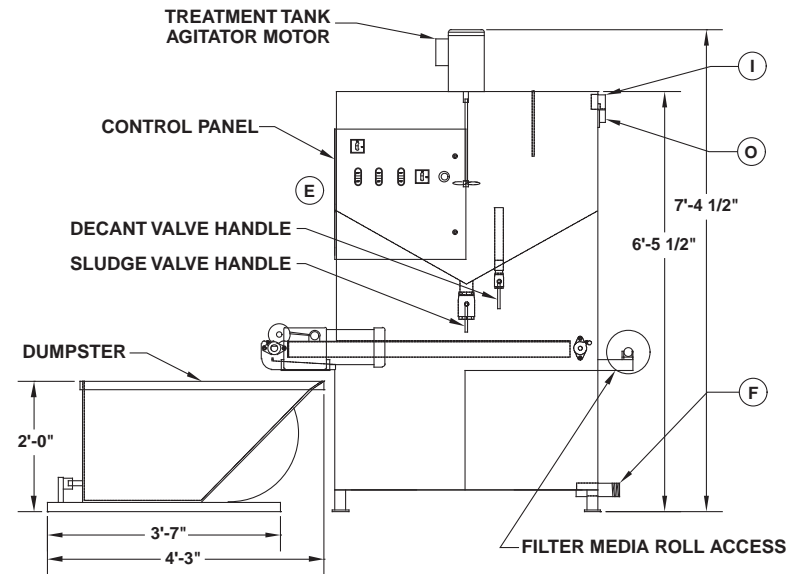
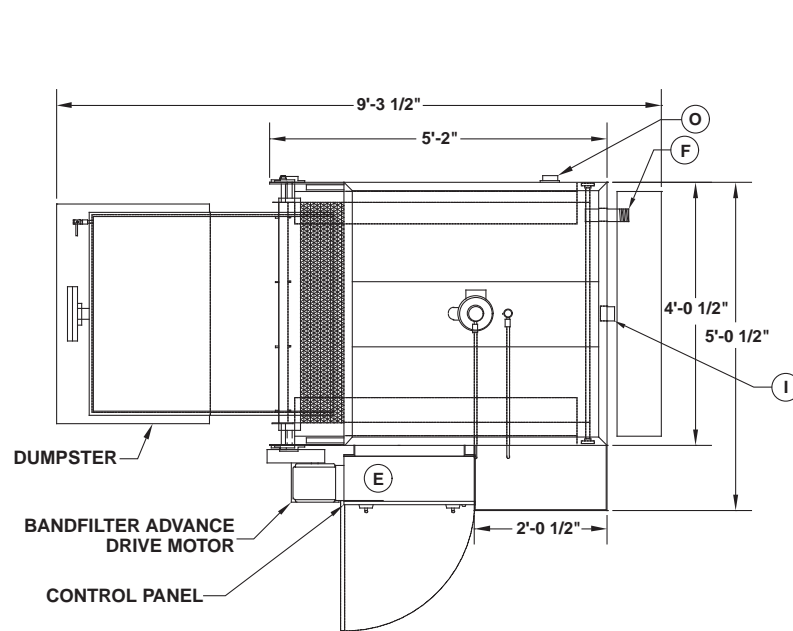
Ringwood's wastewater treatment units optimize the use of clay based flocculants to clarify industrial wastewaters.

Ringwood Environmental, Inc. Wastewater Products

6715 West 73rd Street • Bedford Park, IL 60638 • 708.458.6000 • FAX 708.458.1051

TT-200

Manual Wastewater Treatment



Service Requirements

- E** 115 VAC, 30 AMP, Grounded Single Phase Power Terminated at the Disconnect in the Control Panel.
- F** 2" MNPT Discharge to Sewer Connection.
- I** 2" FNPT Influent Water Connection.
- O** 2" FNPT Treatment Tank Overflow Connection.

Ringwood Environmental, Inc. Wastewater Products

6715 West 73rd Street • Bedford Park, IL 60638 • 708.458.6000 • FAX 708.458.1051